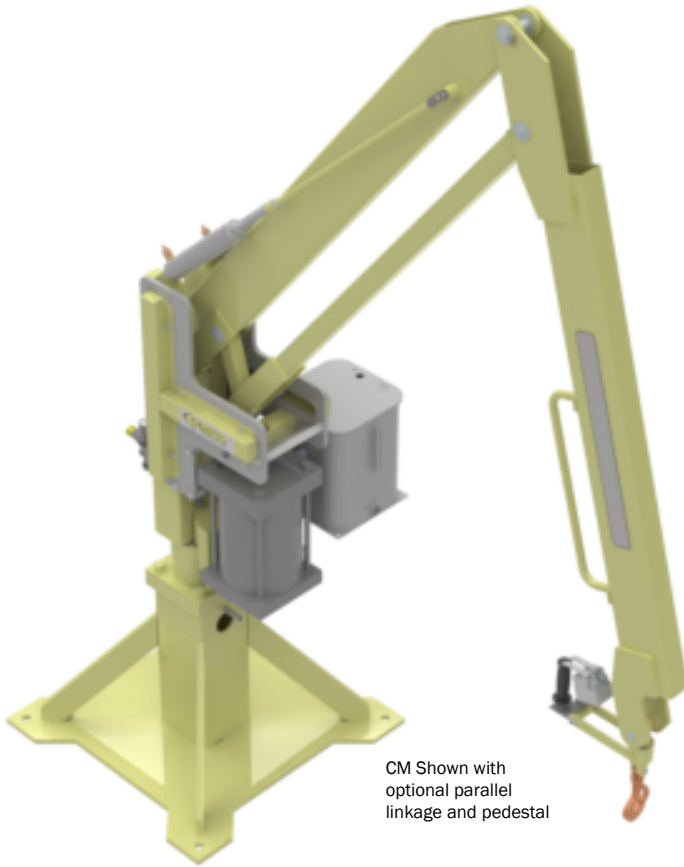


Clearance Master®



CM Shown with optional parallel linkage and pedestal

The Conco Clearance Master (CM) is a low-headroom manipulator designed and developed to perform in work areas with overhead limitations as low as 8 feet. The CM eliminates the need to reconstruct the work area in order to improve the ability to handle loads. Tight overhead restrictions that might prohibit the use of other material handling devices are not a problem for the Clearance Master Manipulator.

Standard Features

- Maneuverability in low-headroom areas
- Few moving parts and wear points
- Maintenance is simple and routinely handled by shop personnel
- Purchase, operating and maintenance costs are low
- Pistol grip metering valve control for vertical lift or single weight load balancing control
- Does not require an air lubricator

Model	Capacity* (lbs/ kg)	Reach (ft/ m)	Lift (in/ m)
CM300-8	300/136	8/2.44	56/1.42

*Requires 90 psi clean, dry air to operate at rated capacity, includes payload and end-effector

Available Options

- Mounting options: overhead trolley, pedestal mount or mobile/portable base
- Up to 360° continuous end-effector rotation
- Dual Weight Load Balancing Circuit
- Parallel linkage arms allow an end-effector to remain parallel to the floor



CM0810