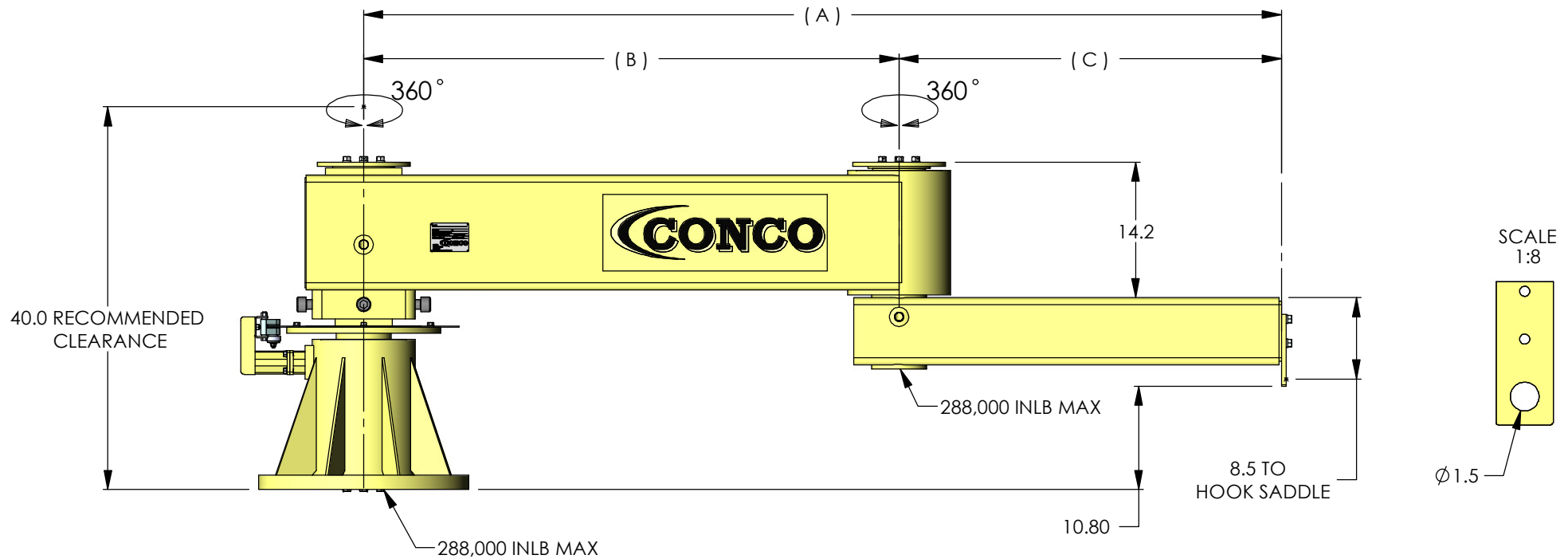


RECOMMENDED WORKING REACH IS  
85% OF MAXIMUM REACH



AJ Arm Heavy Series							
Model	Reach ( A ) (feet)	Primary Arm ( B ) (inches)	Secondary Arm ( C ) (inches)	Capacity* (lbs)	Weight (lbs)	Deflection (inches)	
						Straight	90°
AJ 2000 - 8	8	56	40	2000	1390	0.688	0.438
AJ 1785 - 9	9	63	45	1785	1414	0.750	0.500
AJ 1600 - 10	10	70	50	1600	1438	0.813	0.563
AJ 1460 - 11	11	77	55	1460	1462	0.875	0.625
AJ 1340 - 12	12	84	60	1340	1486	1.000	0.688
AJ 1256 - 13	13	91	65	1256	1510	1.063	0.750
AJ 1150 - 14	14	98	70	1150	1534	1.125	0.813
AJ 1071 - 15	15	105	75	1071	1558	1.250	0.875
AJ 1000 - 16	16	112	80	1000	1582	1.313	0.938

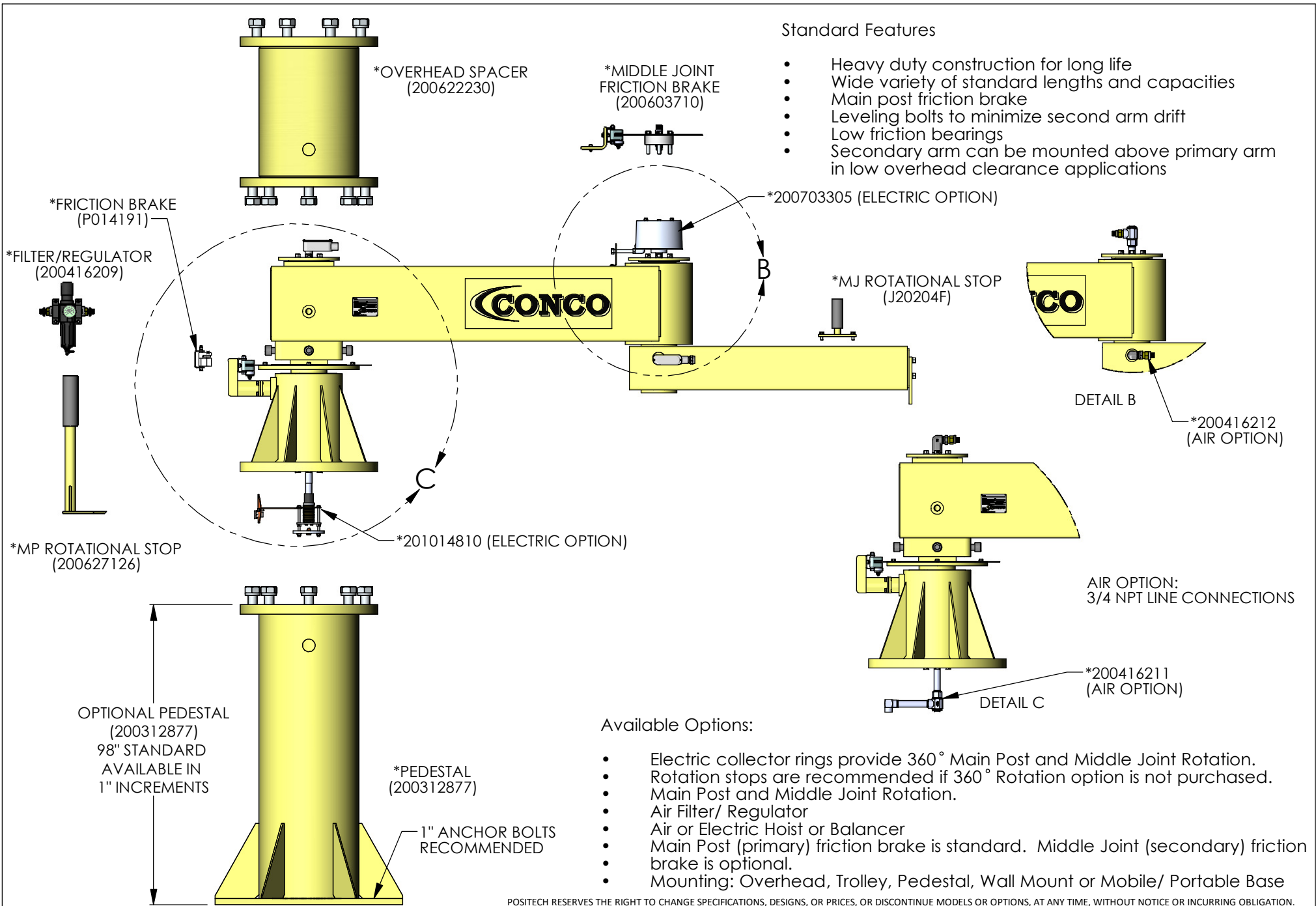
\* Includes payload and end-effector  
 Electric option: 460v, 3 phase, 20 amp  
 Air option: 3/4" air lines, SCFM will vary on hoist and/or tooling

POSITECH RESERVES THE RIGHT TO CHANGE SPECIFICATIONS, DESIGNS, OR PRICES, OR DISCONTINUE MODELS OR OPTIONS, AT ANY TIME, WITHOUT NOTICE OR INCURRING OBLIGATION.



AJ ASSY, HEAVY		SCALE: 1:20	DATE: May-09-2017	DRAWN BY: kps
CLASS CODE: 750	DWG NO: AJ-HEAVY	SHT: 1 of 2		REV:

ALL DESIGNS, SKETCHES AND DRAWINGS ARE THE PROPERTY OF POSITECH CORPORATION LETTING, OR ALLOWING TO BE LET, THE KNOWLEDGE FOR DESIGN AND/OR FABRICATION FROM SAID DESIGNS, SKETCHES OR DRAWINGS WITHOUT THE WRITTEN CONSENT OF POSITECH CORPORATION IS EXPRESSLY FORBIDDEN.



ALL DESIGNS, SKETCHES AND DRAWINGS ARE THE PROPERTY OF POSITECH CORPORATION LETTING, OR ALLOWING TO BE LET, THE KNOWLEDGE FOR DESIGN AND/OR FABRICATION FROM SAID DESIGNS, SKETCHES OR DRAWINGS WITHOUT THE WRITTEN CONSENT OF POSITECH CORPORATION IS EXPRESSLY FORBIDDEN.

POSITECH RESERVES THE RIGHT TO CHANGE SPECIFICATIONS, DESIGNS, OR PRICES, OR DISCONTINUE MODELS OR OPTIONS, AT ANY TIME, WITHOUT NOTICE OR INCURRING OBLIGATION.



## AJ HEAVY WITH OPTIONS

SCALE: 1:20	DATE: May-09-2017	DRAWN BY: kps	
CLASS CODE: 750	DWG NO: AJ-HEAVY	SHT: 2 of 2	REV:

## PEDESTAL MOUNTING REQUIREMENTS

### Foundation Design Requirement for Existing Floor

1. The foundation must have six 1"-8 SAE 2 studs spaced 90 degrees apart on a 27" diameter bolt circle extending 3" above the foundation to mate with and extend through mounting holes in the pedestal base. Stud load approximately 5,300 pounds maximum. Position the pedestal on the foundation with respect to the opening for the air supply to minimize piping.
2. Attach the pedestal to the foundation with six (6) lockwashers and six (6) SAE 2 steel nuts. Shim as required to level kingpin mounting ring located on the pedestal top.
3. Foundation must meet the following criteria.
  - a. 5" minimum thick concrete floor with netting type reinforcement.
  - b. 3000 p.s.i. minimum compressive strength.
  - c. 2500 pounds/square foot minimum soil bearing beneath concrete.
  - d. No cracks, fractures, expansion joints, etc. with minimum floor area indicated. (See "f").
  - e. Pedestal base shall be mounted in center with sides parallel to sides of floor area indicated.
  - f. Minimum floor area which meets all above requirements must be 8.5' x 8.5'.
  - g. Mount anchor studs as indicated above

Equipment	Anchor Bolt Size	Bolt Torque Ft Lb	Bolt Circle Dia.	No. of Anchor Bolts	Total Equipment Weight	Maximum Static Moment
LB1000 Series	1"-8	250	27"	6	3600 Lb	6600 Ft Lb
Standard Art. Jib, AJL300 and AJL665	1"-8	250	27"	6	2650 Lb	12,500 Ft Lb
Heavy Duty Art Jib	1-8	250	27"	6	4000 Lb	21,250 Ft Lb

