

WORK AREA IS BASED ON THE TRAVEL OF THIS POINT

ALL DIMENSIONS ARE NOMINAL AND MAY VARY

ALL DESIGNS, SKETCHES AND DRAWINGS ARE THE PROPERTY OF POSITECH CORPORATION LETTING, OR ALLOWING TO BE LET, THE KNOWLEDGE FOR DESIGN AND/OR FABRICATION FROM SAID DESIGNS, SKETCHES OR DRAWINGS WITHOUT THE WRITTEN CONSENT OF POSITECH CORPORATION IS EXPRESSLY FORBIDDEN.

POSITECH RESERVES THE RIGHT TO CHANGE SPECIFICATIONS, DESIGNS, OR PRICES, OR DISCONTINUE MODELS OR OPTIONS, AT ANY TIME, WITHOUT NOTICE OR INCURRING OBLIGATION.



LB 150 SERIES, PEDESTAL MOUNTED, NON-PL ASSY

SCALE: 1:14	DATE: Mar-14-2014	DRAWN BY: kps	
CLASS CODE: 750	DWG: NO: LB150P	SHT: 1 of 2	REV:

**Balance Master 150 Series**

Model	Capacity* (lbs)	Reach (ft)	( B ) (inches)	Vertical Travel ( D ) (inches)	( E ) (inches)	( F ) (inches)	Vertical Arm ( G ) (inches)	Horizontal Arm ( H ) (inches)	( N ) (inches)	( P ) (inches)	Backswing ( Q ) (inches)	Pedestal Length*** ( R ) (inches)	Std. Pedestal Weight (lbs)	( CC ) (inches)	( DD ) (inches)	( EE ) (inches)	Weight (lbs)	SCFM**
LB 90 - 10	90	10.0	37.00	95.00	22.00	61.25	97.00	80.00	69.50	8.78	38.00	109.00	465	54.75	26.50	27.75	480	8
LB 100 - 9	100	9.0	34.00	86.00	20.00	55.25	87.75	72.00	66.50	11.78	34.00	96.00	429	49.50	23.88	25.13	470	9
LB 112 - 8	112	8.0	30.00	76.00	17.00	49.25	77.75	64.00	63.50	14.78	30.00	83.00	394	44.25	21.13	22.50	445	10
LB 128 - 7	128	7.0	26.00	67.00	15.00	43.25	68.00	56.00	60.50	17.78	26.00	70.00	358	39.00	18.50	19.75	435	12
LB 150 - 6	150	6.0	22.00	57.00	13.00	37.25	58.25	48.00	58.50	20.00	23.00	56.00	320	33.63	16.50	17.75	415	14
LB 180 - 5	180	5.0	19.00	47.00	11.00	31.25	48.50	40.00	58.50	20.00	23.00	43.00	285	28.38	16.50	17.75	370	16
LB 225 - 4	225	4.0	15.00	37.00	9.00	25.25	39.00	32.00	58.50	20.00	23.00	30.00	249	23.13	16.50	17.75	325	21

\*150 Series units require 90 psi clean, dry air; includes payload and end-effector

\*\*Add SCFM consumed by any additional pneumatic equipment

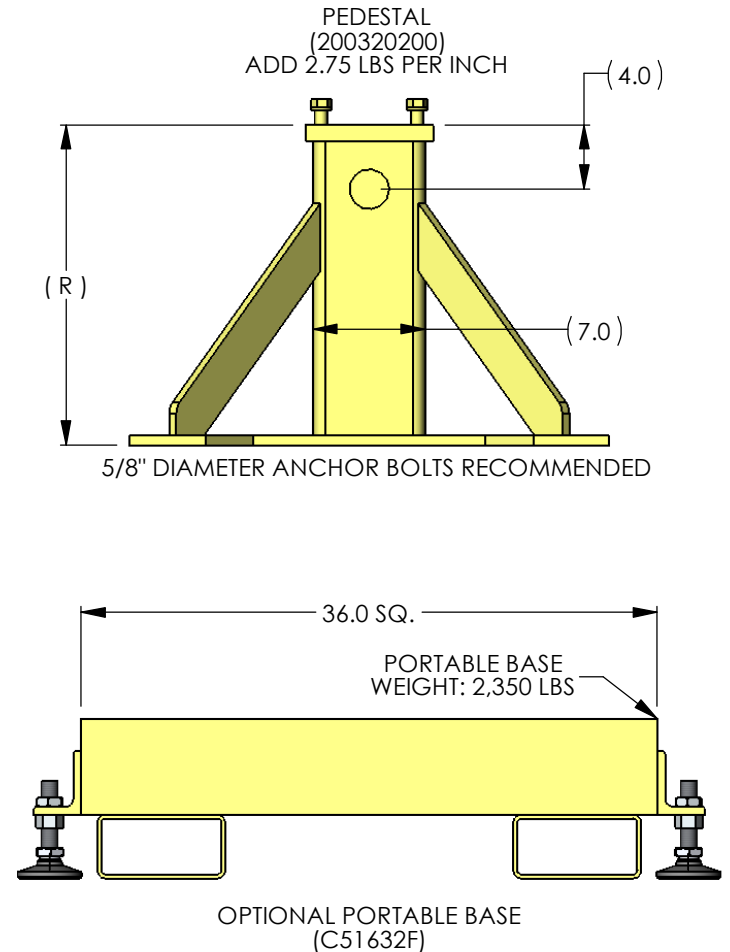
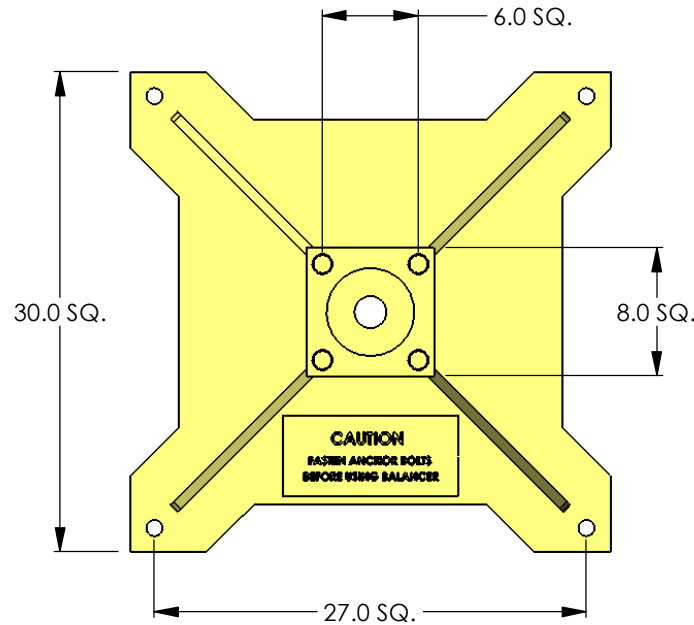
\*\*\*The "R" dimension shows Standart Pedestal heights. Pedestal height will vary based on the application

**Standard Features:**

- 360°continuous main post rotation
- Precision bearings at the joints for smooth motion and long life
- Pistol Grip Metering Valve control for vertical lift or single weight load balancing control
- Lost Load Safety Feature
- Minimum Lift Cylinder Pressure Circuit
- Does not require air lubricator

**Available Options:**

- Parallel link arms to allow an end-effector to remain parallel to the floor
- Powered main post rotation
- Dual Weight Load Balancing Circuit
- Mounting options: overhead trolley, pedestal mount or mobile/portable base
- Up to 360°continuous end-effector rotation



POSITECH RESERVES THE RIGHT TO CHANGE SPECIFICATIONS, DESIGNS, OR PRICES, OR DISCONTINUE MODELS OR OPTIONS, AT ANY TIME, WITHOUT NOTICE OR INCURRING OBLIGATION.



**BALANCE MASTER PEDESTAL MOUNT, NON-PL**

SCALE: 1:20	DATE: Mar-14-2014	DRAWN BY: kps
CLASS CODE: 892	DWG NO: LB150P	SHT: 2 of 2 REV:

ALL DESIGNS, SKETCHES AND DRAWINGS ARE THE PROPERTY OF POSITECH CORPORATION LETTING, OR ALLOWING TO BE LET, THE KNOWLEDGE FOR DESIGN AND/OR FABRICATION FROM SAID DESIGNS, SKETCHES OR DRAWINGS WITHOUT THE WRITTEN CONSENT OF POSITECH CORPORATION IS EXPRESSLY FORBIDDEN.