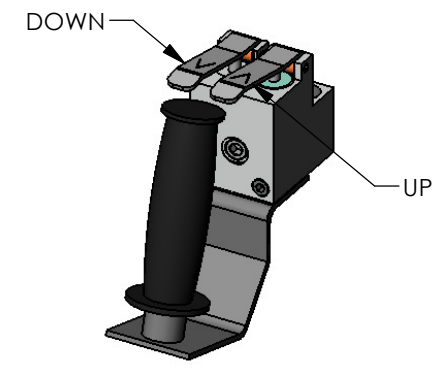


DETAIL A
SCALE 1 : 8



ALL DIMENSIONS ARE NOMINAL
AND MAY VARY

POSITECH RESERVES THE RIGHT TO CHANGE SPECIFICATIONS, DESIGNS, OR PRICES, OR DISCONTINUE MODELS OR OPTIONS, AT ANY TIME, WITHOUT NOTICE OR INCURRING OBLIGATION.



LB 150 SERIES, PEDESTAL MOUNTED, NON-PL ASSY

SCALE: 1:14	DATE: Mar-14-2014	DRAWN BY: kps	
CLASS CODE: 750	DWG NO: LB150C	SHT: 1 of 2	REV:

ALL DESIGNS, SKETCHES AND DRAWINGS ARE THE PROPERTY OF POSITECH CORPORATION LETTING, OR ALLOWING TO BE LET, THE KNOWLEDGE FOR DESIGN AND/OR FABRICATION FROM SAID DESIGNS, SKETCHES OR DRAWINGS WITHOUT THE WRITTEN CONSENT OF POSITECH CORPORATION IS EXPRESSLY FORBIDDEN.

Balance Master 150 Series

Model	Capacity* (lbs)	Reach (ft)	(B) (inches)	Vertical Travel (D) (inches)	(E) (inches)	(F) (inches)	Vertical Arm (G) (inches)	Horizontal Arm (H) (inches)	(N) (inches)	(P) (inches)	Backswing (Q) (inches)	(CC) (inches)	(DD) (inches)	(EE) (inches)	Weight (lbs)	Std. Spacer Length (inches)	SCFM**
LB 90 - 10	90	10.0	37.00	95.00	22.00	61.25	97.00	80.00	63.00	2.25	38.00	54.75	26.50	27.75	580	42.00	8
LB 100 - 9	100	9.0	34.00	86.00	20.00	55.25	87.50	72.00	60.00	5.25	34.00	49.50	23.88	25.13	570	36.00	9
LB 112 - 8	112	8.0	30.00	76.00	17.00	49.25	77.75	64.00	57.00	8.25	30.00	44.25	21.13	22.50	560	24.00	10
LB 128 - 7	128	7.0	26.00	67.00	15.00	43.25	68.00	56.00	52.00	11.25	26.00	39.00	18.50	19.75	550	18.00	12
LB 150 - 6	150	6.0	22.00	57.00	13.00	37.25	58.25	48.00	51.50	13.50	23.00	33.63	16.50	17.75	545	12.00	14
LB 180 - 5	180	5.0	19.00	47.00	11.00	31.25	48.50	40.00	51.50	13.50	23.00	28.38	16.50	17.75	535	-	16
LB 225 - 4	225	4.0	15.00	37.00	9.00	25.25	39.00	32.00	51.50	13.50	23.00	23.13	16.50	17.75	525	-	21

*150 Series units require 90 psi clean, dry air; includes payload and end-effector

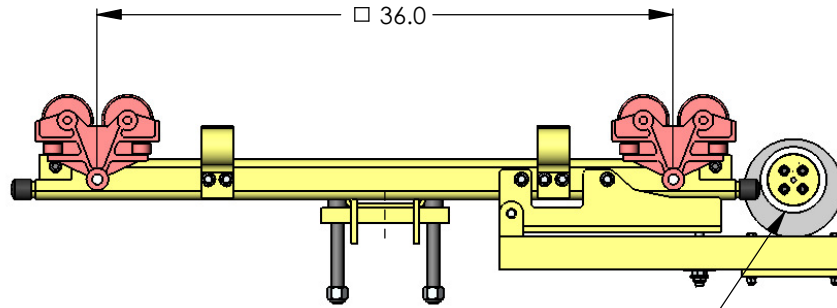
**Add SCFM consumed by any additional pneumatic equipment

Standard Features:

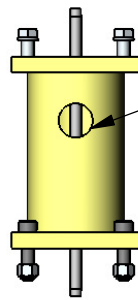
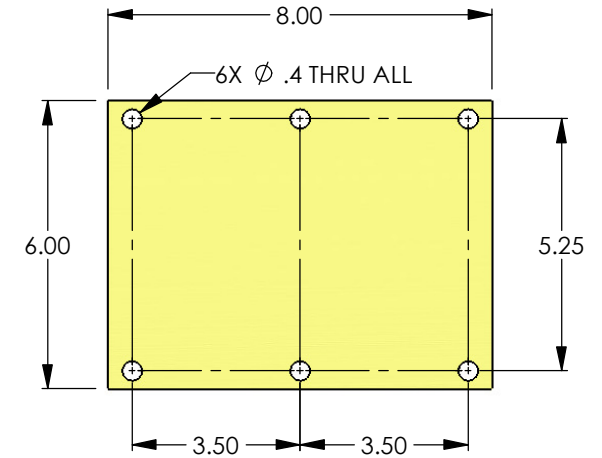
- 360°continuous main post rotation
- Precision bearings at the joints for smooth motion and long life
- Pistol Grip Metering Valve control for vertical lift or single weight load balancing control
- Lost Load Safety Feature
- Minimum Lift Cylinder Pressure Circuit
- Does not require air lubricator

Available Options:

- Parallel link arms to allow an end-effector to remain parallel to the floor
- Powered main post rotation
- Dual Weight Load Balancing Circuit
- Mounting options: overhead trolley, pedestal mount or mobile/portable base
- Up to 360°continuous end-effector rotation

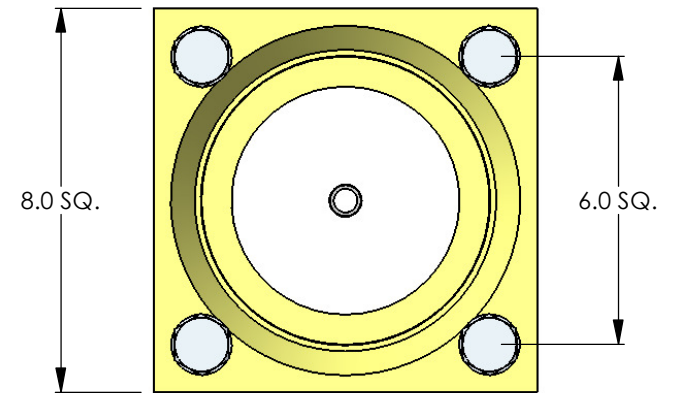


Trolley shown with drive (A26058F)



Overhead Spacer (200310088)

AIR ACCESS
3/8 NPT AIR LINE CONNECTION



POSITECH RESERVES THE RIGHT TO CHANGE SPECIFICATIONS, DESIGNS, OR PRICES, OR DISCONTINUE MODELS OR OPTIONS, AT ANY TIME, WITHOUT NOTICE OR INCURRING OBLIGATION.



LB 150 SERIES, PEDESTAL MOUNTED, NON-PL ASSY

SCALE: 1:12	DATE: Mar-14-2014	DRAWN BY: kps
CLASS CODE: 750	DWG NO: LB150C	SHT: 2 of 2 REV:

ALL DESIGNS, SKETCHES AND DRAWINGS ARE THE PROPERTY OF POSITECH CORPORATION LETTING, OR ALLOWING TO BE LET, THE KNOWLEDGE FOR DESIGN AND/OR FABRICATION FROM SAID DESIGNS, SKETCHES OR DRAWINGS WITHOUT THE WRITTEN CONSENT OF POSITECH CORPORATION IS EXPRESSLY FORBIDDEN.