

SCALE 1 : 4

POSITECH RESERVES THE RIGHT TO CHANGE SPECIFICATIONS, DESIGNS, OR PRICES, OR DISCONTINUE MODELS OR OPTIONS, AT ANY TIME, WITHOUT NOTICE OR INCURRING OBLIGATION.



1000 SERIES, CEILING MOUNTED, NON-PL ASSY.			
SCALE: 1:24	DATE: Jun-11-2014	DRAWN BY: kps	
CLASS CODE: 750	DWG: NO: LB1000C	SHT: 1 of 2	REV:

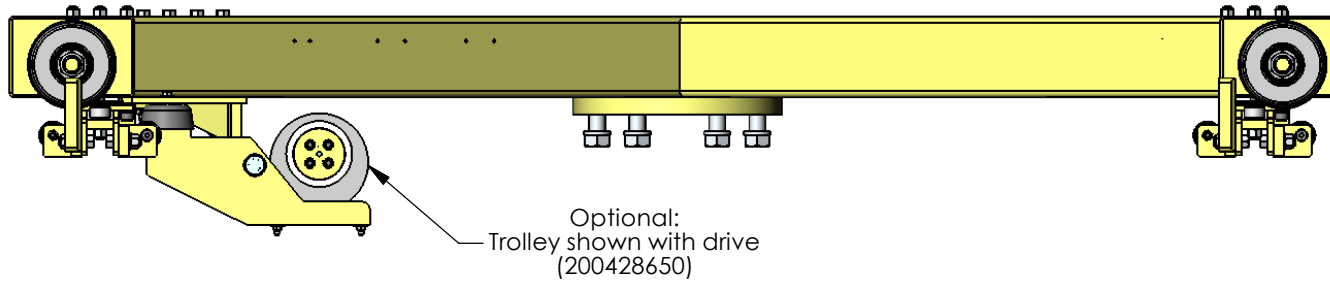
ALL DESIGNS, SKETCHES AND DRAWINGS ARE THE PROPERTY OF POSITECH CORPORATION LETTING, OR ALLOWING TO BE LET, THE KNOWLEDGE FOR DESIGN AND/OR FABRICATION FROM SAID DESIGNS, SKETCHES OR DRAWINGS WITHOUT THE WRITTEN CONSENT OF POSITECH CORPORATION IS EXPRESSLY FORBIDDEN.

Balance Master 1000 Series

Model	Capacity* (lbs)	Reach (ft)	(B) (inches)	Vertical Travel (D) (inches)	(E) (inches)	(F) (inches)	Vertical Arm (G) (inches)	Horizontal Arm (H) (inches)	(CC) (inches)	Weight (lbs)	Std. Spacer Length (inches)	SCFM**
LB 650 - 10	650	10.0	49.75	109.00	30.00	66.50	113.50	91.00	69.00	1915.0	12.00	34
LB 725 - 9	725	9.0	44.75	98.00	28.00	59.75	102.00	81.50	62.50	1785.0	-	37
LB 800 - 8	800	8.0	39.75	87.00	25.00	53.50	90.50	72.50	55.88	1660.0	-	42
LB 950 - 7	950	7.0	34.75	76.00	22.00	47.00	79.00	63.25	49.25	1530.0	-	48
LB 1100 - 6	1100	6.0	29.50	65.00	19.00	40.50	67.50	54.00	42.75	1400.0	-	56
LB 1350 - 5	1350	5.0	24.50	56.00	16.00	34.00	55.75	44.75	36.25	1270.0	-	68
LB 1700 - 4	1700	4.0	19.50	43.00	13.00	27.50	44.25	35.50	29.50	1140.0	-	86

*1000 Series units require 100 psi clean, dry air; includes payload and end-effector

**Add SCFM consumed by any additional pneumatic equipment

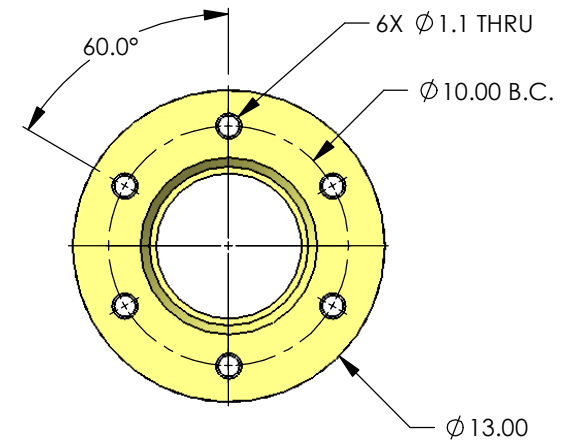
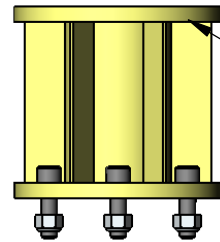


Standard Features:

- 360°continuous main post rotation
- Precision bearings at the joints for smooth motion and long life
- Pistol Grip Metering Valve control for vertical lift or single weight load balancing control
- Lost Load Safety Feature
- Minimum Lift Cylinder Pressure Circuit
- Does not require air lubricator

Available Options:

- Parallel link arms to allow an end-effector to remain parallel to the floor
- Powered main post rotation
- Dual Weight Load Balancing Circuit
- Mounting options: overhead trolley, pedestal mount or mobile/portable base
- Up to 360°continuous end-effector rotation



SCALE 1 : 8

POSITECH RESERVES THE RIGHT TO CHANGE SPECIFICATIONS, DESIGNS, OR PRICES, OR DISCONTINUE MODELS OR OPTIONS, AT ANY TIME, WITHOUT NOTICE OR INCURRING OBLIGATION.



1000 SERIES, CEILING MOUNTED, NON-PL ASSY.

SCALE: 1:12	DATE: Jun-11-2014	DRAWN BY: kps
CLASS CODE: 750	DWG NO: LB1000C	SHT: 2 of 2
		REV:

ALL DESIGNS, SKETCHES AND DRAWINGS ARE THE PROPERTY OF POSITECH CORPORATION LETTING, OR ALLOWING TO BE LET, THE KNOWLEDGE FOR DESIGN AND/OR FABRICATION FROM SAID DESIGNS, SKETCHES OR DRAWINGS WITHOUT THE WRITTEN CONSENT OF POSITECH CORPORATION IS EXPRESSLY FORBIDDEN.