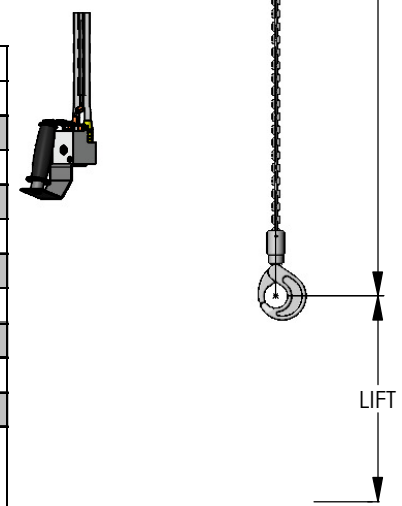


Reach	60" Lift				90" Lift				120" Lift			
	A	B	C	WEIGHT	A	B	C	WEIGHT	A	B	C	WEIGHT
8'	56"	47"	40"	726 LBS	-	-	-	-	-	-	-	-
9'	63"	42"	45"	745 LBS	-	-	-	-	-	-	-	-
10'	70"	37"	50"	764 LBS	-	-	-	-	-	-	-	-
11'	77"	32"	55"	783 LBS	77"	52"	55"	828 LBS	-	-	-	-
12'	84"	27"	60"	802 LBS	84"	47"	60"	847 LBS	-	-	-	-
13'	91"	22"	65"	821 LBS	91"	42"	65"	866 LBS	91"	72"	65"	911 LBS
14'	98"	17"	70"	840 LBS	98"	37"	70"	885 LBS	98"	67"	70"	930 LBS
15'	105"	12"	75"	859 LBS	105"	32"	75"	904 LBS	105"	62"	75"	949 LBS
*16'	112"	7"	80"	878 LBS	112"	37"	80"	923 LBS	112"	57"	80"	968 LBS

Requires 100 psi (120 psi max) at 30 SCFM clean, dry air to operate at rated capacity, includes payload and end-effector  
 Rated Capacity: 665 lbs  
 \*Rated Capacity: 615 lbs

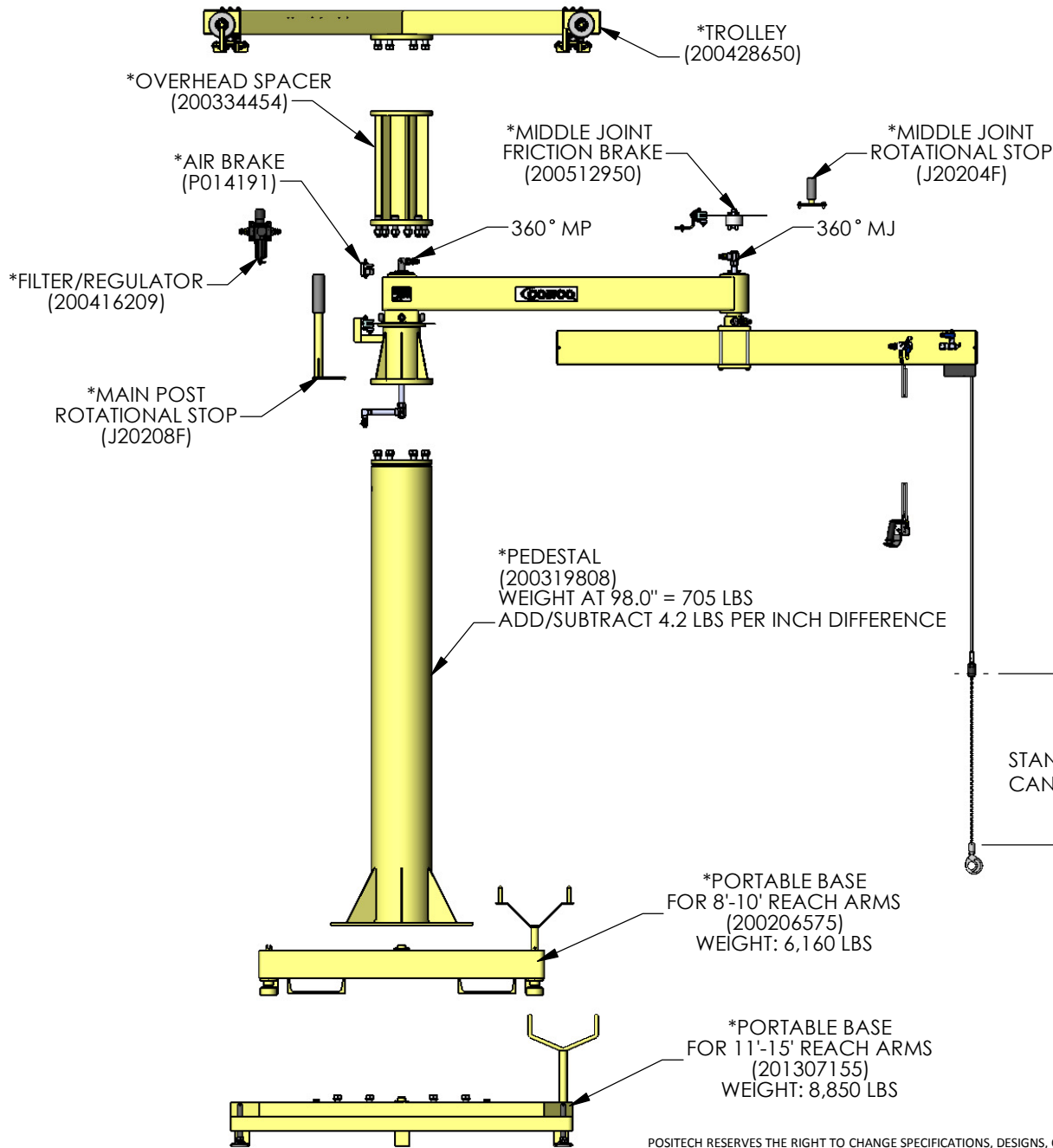


POSITECH RESERVES THE RIGHT TO CHANGE SPECIFICATIONS, DESIGNS, OR PRICES, OR DISCONTINUE MODELS OR OPTIONS, AT ANY TIME, WITHOUT NOTICE OR INCURRING OBLIGATION.

ALL DESIGNS, SKETCHES AND DRAWINGS ARE THE PROPERTY OF POSITECH CORPORATION LETTING, OR ALLOWING TO BE LET, THE KNOWLEDGE FOR DESIGN AND/OR FABRICATION FROM SAID DESIGNS, SKETCHES OR DRAWINGS WITHOUT THE WRITTEN CONSENT OF POSITECH CORPORATION IS EXPRESSLY FORBIDDEN.

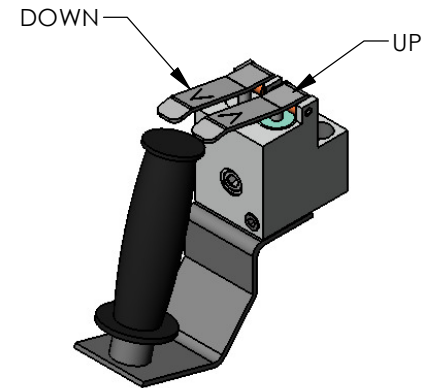
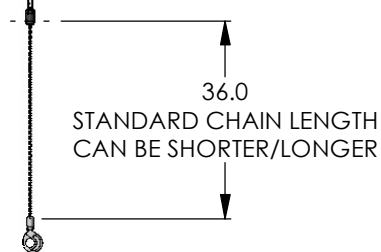


<b>AJL-665</b>			
SCALE: 1:24	DATE: May-29-2014	DRAWN BY: kps	
CLASS CODE: 750	DWG: NO: AJL-665	SHT: 1 of 2	REV:



- Standard Features:**
- Standard models available to accommodate light to heavy lifting applications
  - Comes standard with a threaded interface at the end-of-cable and a safety latch hook at end of chain
  - Secondary arm can be mounted above primary arm in low overhead clearance applications
  - 360 degree continuous rotation at primary and secondary joints
  - Leveling bolts to minimize second arm drift
  - Pistol grip metering valve control for vertical lift
  - Does not require air lubricator

- Available Options:**
- Primary and secondary axes caliper disc brakes
  - Adjustable secondary arm friction brake
  - Primary and secondary axes rotation stops to keep arms in specific zones
  - Mounting options: overhead, trolley, pedestal, wall mount or mobile/ portable base
  - Load Balance Circuit
  - 90" and 120" lift ranges are available in some configurations



POSITECH RESERVES THE RIGHT TO CHANGE SPECIFICATIONS, DESIGNS, OR PRICES, OR DISCONTINUE MODELS OR OPTIONS, AT ANY TIME, WITHOUT NOTICE OR INCURRING OBLIGATION.



**AJL-665**

SCALE: 1:64	DATE: May-29-2014	DRAWN BY: kps	
CLASS CODE: 750	DWG NO: AJL-665	SHT: 2 of 2	REV:

ALL DESIGNS, SKETCHES AND DRAWINGS ARE THE PROPERTY OF POSITECH CORPORATION LETTING, OR ALLOWING TO BE LET, THE KNOWLEDGE FOR DESIGN AND/OR FABRICATION FROM SAID DESIGNS, SKETCHES OR DRAWINGS WITHOUT THE WRITTEN CONSENT OF POSITECH CORPORATION IS EXPRESSLY FORBIDDEN.

## PEDESTAL MOUNTING REQUIREMENTS

### Foundation Design Requirement for Existing Floor

1. The foundation must have six 1"-8 SAE 2 studs spaced 90 degrees apart on a 27" diameter bolt circle extending 3" above the foundation to mate with and extend through mounting holes in the pedestal base. Stud load approximately 5,300 pounds maximum. Position the pedestal on the foundation with respect to the opening for the air supply to minimize piping.
2. Attach the pedestal to the foundation with six (6) lockwashers and six (6) SAE 2 steel nuts. Shim as required to level kingpin mounting ring located on the pedestal top.
3. Foundation must meet the following criteria.
  - a. 5" minimum thick concrete floor with netting type reinforcement.
  - b. 3000 p.s.i. minimum compressive strength.
  - c. 2500 pounds/square foot minimum soil bearing beneath concrete.
  - d. No cracks, fractures, expansion joints, etc. with minimum floor area indicated. (See "f").
  - e. Pedestal base shall be mounted in center with sides parallel to sides of floor area indicated.
  - f. Minimum floor area which meets all above requirements must be 8.5' x 8.5'.
  - g. Mount anchor studs as indicated above

Equipment	Anchor Bolt Size	Bolt Torque Ft Lb	Bolt Circle Dia.	No. of Anchor Bolts	Total Equipment Weight	Maximum Static Moment
LB1000 Series	1"-8	250	27"	6	3600 Lb	6600 Ft Lb
Standard Art. Jib, AJL300 and AJL665	1"-8	250	27"	6	2650 Lb	12,500 Ft Lb
Heavy Duty Art Jib	1-8	250	27"	6	4000 Lb	21,250 Ft Lb

