

**Standard Features:**

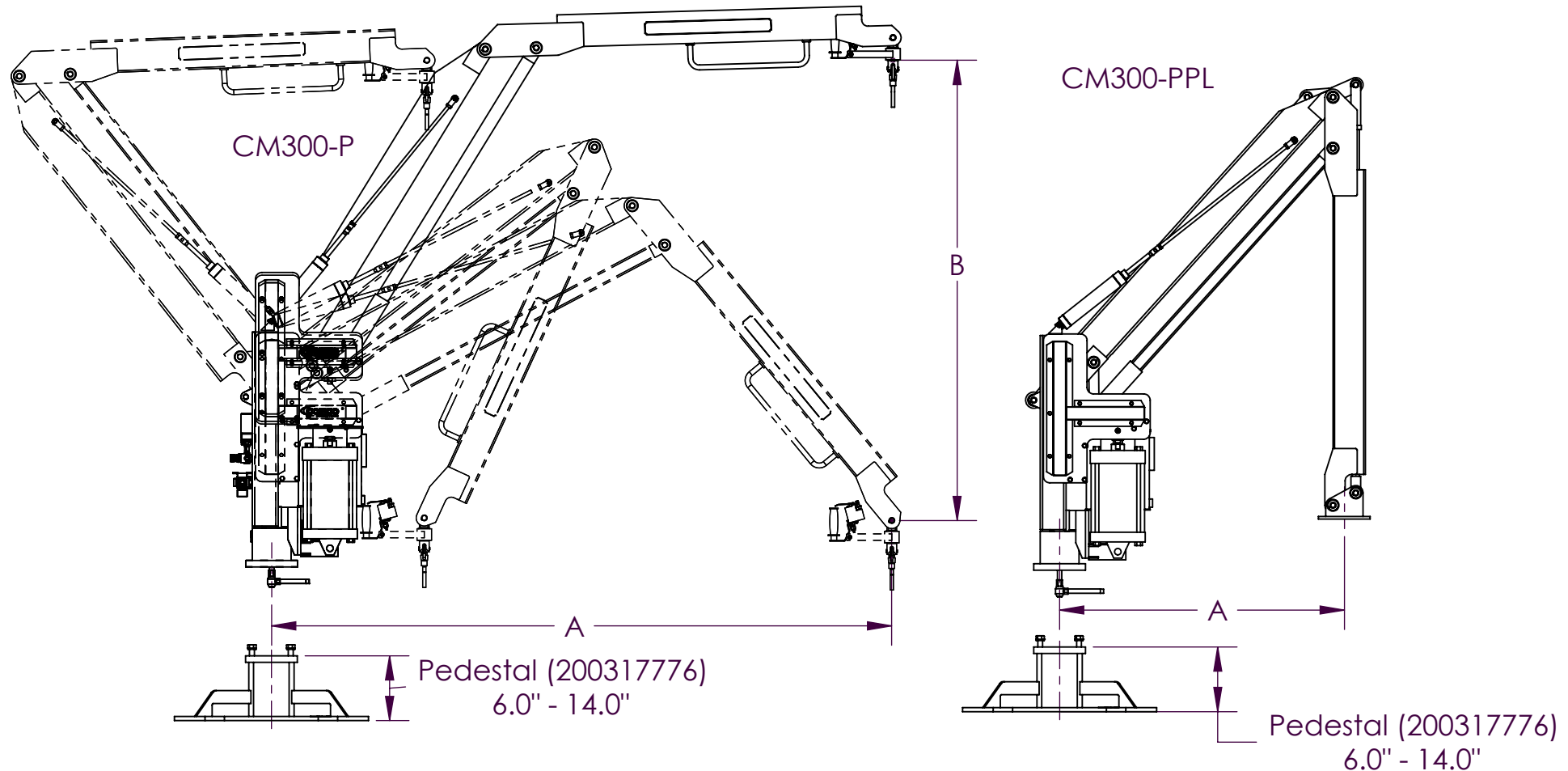
- Maneuverability in low headroom areas
- Few moving parts and wear points
- Maintenance is simple and routinely handled by shop personnel
- Purchase, operating and maintenance costs are low
- Pistol grip metering valve control for vertical lift or single weight load balancing control
- Does not require air lubricator

**Available Options:**

- Mounting options: overhead trolley, pedestal mount or mobile/portable base
- Up to 360° continuous end-effector rotation
- Dual Weight Load Balancing Circuit
- Parallel linkage arms allow an end-effector to remain parallel to the floor

Clearance Master					
Model	Capacity* (lbs)	Reach ( A ) (ft)	Lift ( B ) (inches)	Weight (lbs)	Std. Pedestal Weight (lbs)
CM 300 - 8	300	8.0	72.00	395	165

\*Requires 90 psi clean, dry air and 50 SCFM to operate at rated capacity, includes payload and end-effector



UNLESS OTHERWISE SPECIFIED .X ± .1 .XX ± .03 .XXX ± .005 1/X ± 1/32 ANGLE ± .5° WELD + 1/8 - 0	ALL DESIGNS, SKETCHES AND DRAWINGS ARE THE PROPERTY OF POSITECH CORPORATION LETTING, OR ALLOWING TO BE LET, THE KNOWLEDGE FOR DESIGN AND/OR FABRICATION FROM SAID DESIGNS, SKETCHES OR DRAWINGS WITHOUT THE WRITTEN CONSENT OF POSITECH CORPORATION IS EXPRESSLY FORBIDDEN.		
	BREAK ALL SHARP EDGES TO .005 MAX		
	DWG SIZE:	WGT: 166.446 LBS SIM TO:	MATL: MQTY:
	MATL DESC:		PARTS TO BE MFG TO QWI-75-15



**CLEARANCE MASTER (LO SAM)  
PEDESTAL MOUNT**

SCALE: 1:24	DATE: 1 JUL 2003	DRAWN BY: BEN/DWB	
CLASS CODE: 750	DWG NO:	SHT: 1 of 1	REV:

# PEDESTAL MOUNTING REQUIREMENTS

## Foundation Design Requirement for Existing Floor

1. The foundation must have four 3/4"-10 SAE 2 studs spaced 90 degrees apart on a 38-3/16" diameter bolt circle (27" x 27" square) extending 3" above the foundation to mate with and extend through mounting holes in the pedestal base. Stud load approximately 1,000 pounds maximum. Position the pedestal on the foundation with respect to the opening for the air supply to minimize piping.
2. Attach the pedestal to the foundation with four (4) lockwashers and four (4) SAE 2 steel nuts. Shim as required to level kingpin mounting ring located on the pedestal top.
3. Foundation must meet the following criteria.
  - a. 5" minimum thick concrete floor with netting type reinforcement.
  - b. 3000 p.s.i. minimum compressive strength.
  - c. 2500 pounds/square foot minimum soil bearing beneath concrete.
  - d. No cracks, fractures, expansion joints, etc. with minimum floor area indicated. (See "f").
  - e. Pedestal base shall be mounted in center with sides parallel to sides of floor area indicated.
  - f. Minimum floor area which meets all above requirements must be 8.5' x 8.5'.
  - g. Mount anchor studs as indicated above

Equipment	Anchor Bolt Size	Bolt Torque Ft Lb	Bolt Circle Dia.	No. of Anchor Bolts	Total Equipment Weight	Maximum Static Moment
LB400 Series Balancer, AJL165	3/4"-10	173	38-3/16"	4	1655 Lb	2400 Ft Lb

